

SHOWVEN®

X-S3000 PRO FOG MACHINE USER MANUAL

V1.0



Showven Technologies Co.,Ltd.

X-S3000 PRO FOG MACHINE

USER MANUAL

▲Foreword

Thanks for choosing SHOWVEN PRO FOG MACHINE.

Please read following manual carefully and completely before operating this product. Operate according to instructions is very important for safety, and can elongate the service life of the machine.

▲Product Characteristics

- X-S3000 is a professional fog machine with fog output up to 40000cuft/min.
- Rotary output control button, easier fog output adjustment.
- Optimized atomizer with high precision electronic temperature control system ensure more uniformly odorless fog effect.
- Super long effect time, max output upto 40s, continuously in low output.
- Build-in LCD screen, user friendly operation.
- Neutrik socket with quality assurance, both 3-pin and 5-pin DMX socket available.
- Only use SHOWVEN original FX-M/FX-BM fog fluid, other fluid may lead to fluid spill or malfunction.

▲Safety Information

- X-S3000 can be used in both indoor and outdoor, but please keep the machine clean and dry.
- Before connecting machine to power, make sure power supply is consistent with the rated voltage of the equipment. Always connect to a grounded circuit to avoid risk of electric shock.
- Disconnect the machine from AC power when not in use.
- This product is not waterproof design, please keep it dry, please do not use it when there are fog fluid leakage or wet from rain.
- No user serviceable and modifiable parts inside the machine, never try to repair or modify this product, unauthorized technician may lead machine to damage even risk of cause fire.
- For adult use only, keep it out of reach of children, and away from fire, inflammable and explosive articles.
- Installed in well ventilated area, ensure at least 50cm space around the machine, cover of the nozzle is forbidden.
- Never use the machine under high temperature.
- Never fill the fluid tank with flammable liquid such as grease, gas, perfume etc.
- If the machine fails to work, please stop operation and unplug the machine. Check fog fluid, fuse, power connection etc. carefully, if can't solve the problem, please contact SHOWVEN or your local SHOWVEN partner for advises.
- Only use SHOWVEN original FX-M/FX-BM medium fog fluid
- Fog fluid is not drinkable, if swallowed immediately look for medical advice. In case of eye contact of fog fluid, please wash it with clean water.

▲Paper Carton Package

1. 1 * X-S3000 PRO FOG MACHINE
2. 1* W-4 Remote control
3. 1* Power cable
4. 1* User manual (warranty card included)

▲Unpacking and Inspection

Immediately upon receiving the machine, carefully unpack the carton, check all content to ensure that all parts are present and have received in good condition. If any parts appear damage from shipping, notify the shipper and contact your supplier immediately.

▲Set up

1. Place the machine on a flat surface and in a suitable large area with at least 50cm open space around the machine.
2. Fill the fluid tank with SHOWVEN original fog fluid. Warranty will be void if any other type fluid is used.
3. Connect the machine to suitable rated power supply, please ensure power supply meets the requirement. Always connect to a grounded circuit to avoid risk of electric shock.
4. Turn on the machine, LCD screen shows software version, wireless setup, and then enter the main interface. The machine heat up automatically, and shows "WARMING UP" on bottom right of LCD screen.
5. After finish heating up, TEMPERATURE and FOG OUTPUT VOLUME will show on the second line of LCD screen.

▲Operation

▲Wireless Operation

X-S3000 with built-in wireless function, the effective distance in a open space is around 10m. Remote control works only when machine reached operating temperature, wireless function of machine is ON and no DMX in signal. There are four buttons on the remote control: A: Turn on the machine; B: turn off the machine; C&D is invalid.

1.1 Match X-S3000 with remote control

- ① Match when turn on the machine. When turn on the machine, "Wireless Setup" appears on the LCD screen, within 6s, you can match the remote with machine by press any key on remote for 1s. If the match was successful, the LCD screen will flash twice, and shows "match successful" on screen.
- ② Match when X-S3000 already turned on. Switch to "Wireless Set" interface, ensure the wireless function was ON. Press any key on remote for 1s. If the match was successful, the LCD screen will flash twice.

1.2 X-S3000 operation with remote control

Press A, X-S3000 start to generate fog; Press B, it stops working.

Under wireless control status, adjust fog amount through rotary output control button at the rear panel of machine, the volume amount shows on LCD screen "Volume Out". 1% means minimum output. 100% means maximum output.

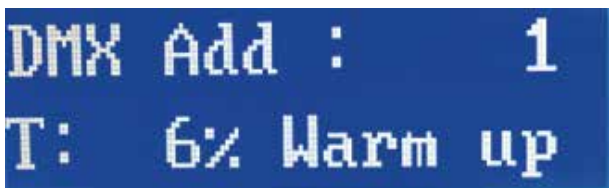
NOTE:

- ① When match the remote control with machine, release the button only when LCD screen flashed twice.
- ② If set the wireless function of the machine OFF, when turn on the machine, it won't shows "Wireless Setup" interface.
- ③ If under DMX control status, the wireless function of machine will void.

▲Manual Operation on Control Panel

To operate the machine manually on control panel, please disconnect DMX communication cable first.

Buttons on Control panel



"MENU": switch through setup menu;

"UP": Parameters up; multiplex "TIMER" (fog output time)

"DOWN": Parameters down; multiplex "VOLUME" (fog output start)

"ENTER": confirm and save parameters, multiplex "STOP".

Rotary output control button: spin clockwise increase output; spin anti-clockwise decrease output; Press to activate/stop fog output.

Setting Menu

a) Main interface

i) DMX address

ii) Machine heating core temperature

iii) Error information

Error information list:

Error	Explanation
E0 System IC	Circuit fault
E2 Temp. Sensor	Temperature sensor fault
E5 K Temp. Over	Circuit fault
E6 Heat Fail	Heating element damage or circuit fault

b) Setting menu

Press "MENU" to switch through setup menu

Items	Value	Explanation
DMX 512 Address	1~512	DMX address
Interval Set	1~200s	Interval time
Duration Set	1~200s	Fog output duration
Volume Out	1%~100%	Fog output volume
Startup Mode	Slow/Fast start jet	Startup mode switch
Startup Time	0.1s~10s	Startup time
Wireless Set	On/Off	Wireless ON/OFF switch
Language	Chinese/English	Language switch

▲DMX control

1 channel for pro fog machine X-S3000:

0-5 fog OFF;

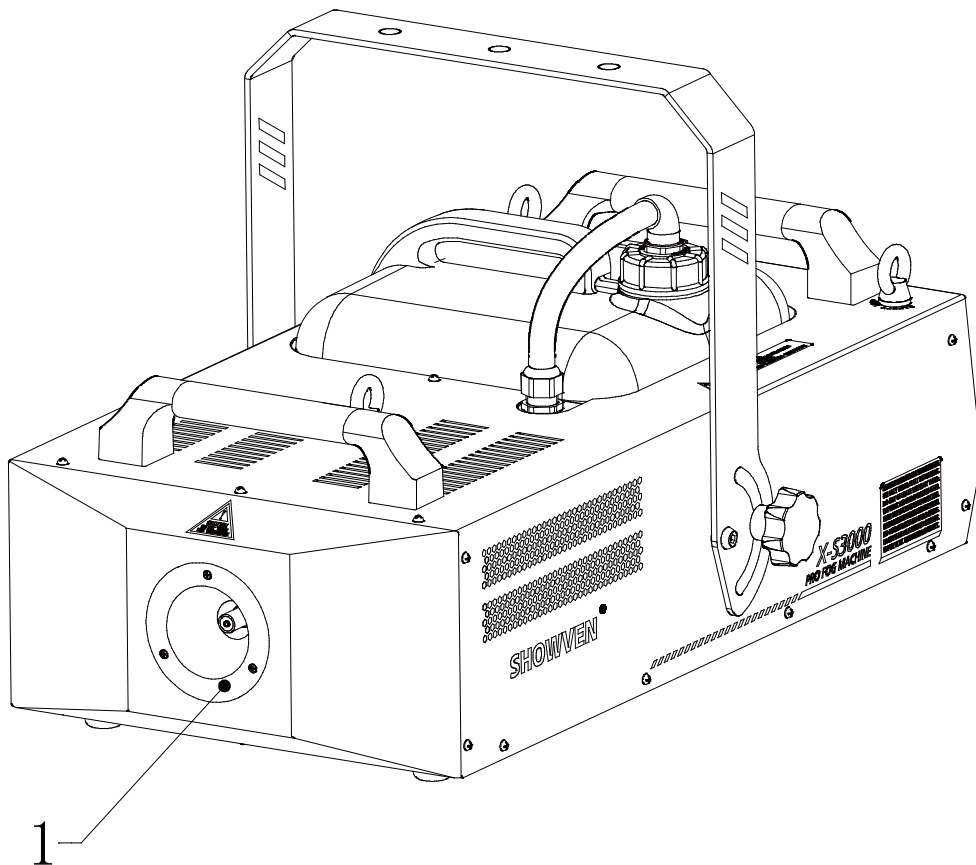
6-255 increase the output volume.

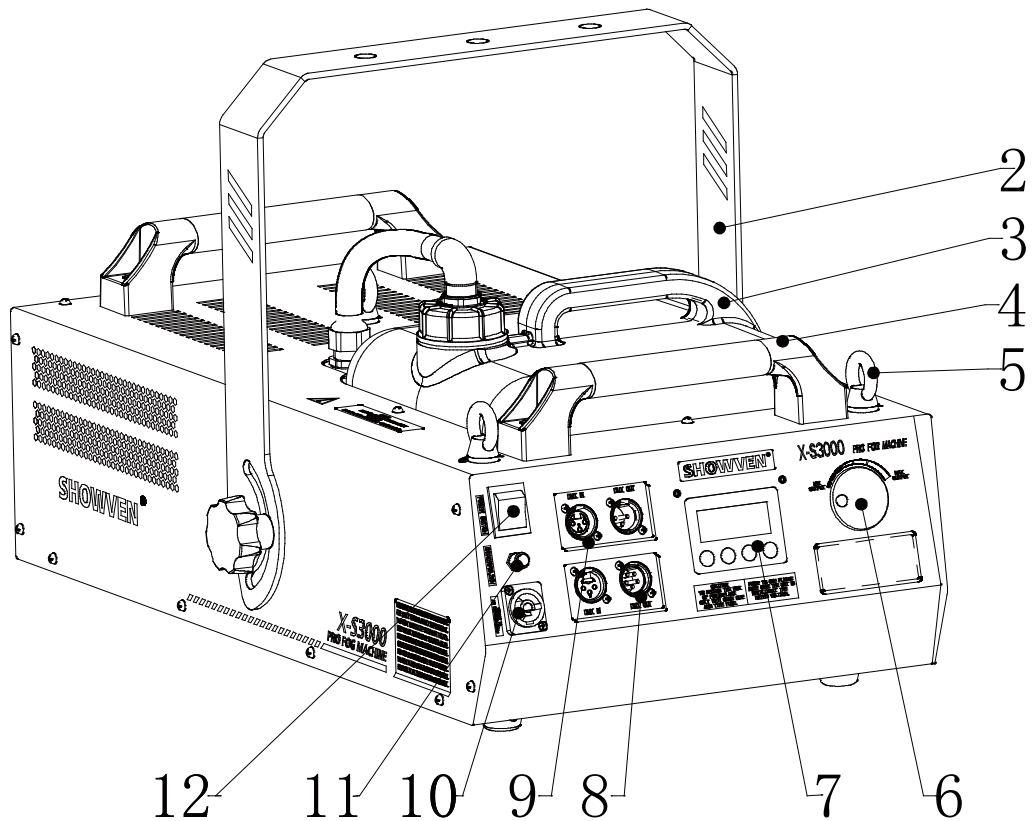
▲Technical Specifications

Model	X-S3000
Power Input	220V version: AC220V-240V 50/60Hz 110V version: AC100V-120V 50/60Hz
Fuse	15A/250V
Power	3000W (220V version)/ 2000W (110V version)
Heat-up Time	7min (220V version)/ 12min (110V version)
Output	40000cuft/min
Tank capacity	9L
DMX-512	✓
Wireless remote	R-4
Fluid consumption	5min/L
Net weight	16.6Kg
Machine Size	660×404×290mm

▲Product Overview

1. Nozzle
2. Hanger
3. Fuel Tank
4. Handle
5. Safety Loop
6. Rotary Output Control Button
7. LCD Screen
8. 5-pin DMX
9. 3-pin DMX
10. Power Socket
11. Circuit Breaker
12. Power Switch





▲ Possible reason for fluid spill or block of X-S3000

For healthy and best status of machine, please do use SHOWVEN original fog fluid.

A. Fluid spill: heat can't effectively transmit to fog fluid, leads to insufficient atomization of the fog fluid in the heating pipe.

Possible Reason 1: Use other type of low quality fog fluid instead of SHOWVEN original fog fluid.

Possible Reason 2: Use inappropriate fog fluid. For different types of fog fluid, the atomization temperature is different.

B. Heating aluminum pipe clog: early symptom for heating aluminum pipe clog is fog fluid spill caused by insufficient atomization. Use other brand fluid or not make regular maintenance for a long time will definitely leads to pipe clog.

C. Solution for above problem: Use SHOWVEN original fog fluid. Make regular maintenance (every 1-2month). Use 35% vinegar with 65% distilled water to wash the pump and pipe system by running the machine 10-15 times.

Warranty Instructions

- ▲ Sincere thanks for your choosing X-S3000 PRO FOG MACHINE, you will receive quality service from us.
- ▲ The product warranty period is one year. If there are any quality problems within 7 days after shipping out from our factory, we can exchange a brand new same model machine for you.
- ▲ We will offer free of charge maintenance service for machines which with hardware malfunction (except for the instrument damage caused by human factors) in warranty period. Please don't repair machine without factory permission.

★ Below situations NOT included in warranty service:

1. Damage caused by improper transportation, usage, management, and maintenance, or damage caused by human factors;
2. Disassemble, modify or repair products without Showven's permission;
3. Damage caused by external reasons (lightning strike, power supply etc);
4. Damage caused by improper installation or use;

For product damage not included in warranty range, we can provide paid service.

★ Invoice and warranty card are necessary when applying for maintenance service from SHOWVEN.

Warranty Card

Product Name:		Serial No.	
Purchase Date:			
Tel:			
Address:			
Problem Feedback			
Actual Problem:			
Maintenance Detail:			
Service Engineer:		Service Date:	

SHOWVEN[®]



Showven Technologies Co., Ltd

Add: Building B1, Changsha E-center No.18, Xiangtai Road, Economic & Technology Development Zone, Hunan, China

Tel: +86-731-83833068

Web: www.showven.cn

E-mail: info@showven.cn